

Biglift 2.55 Saav 145 Jumbo

Electro-hydraulic twin-ram lift, 5.5 t with superstructure with arms



Application

- Repairs and maintenance

Approvals / recommendations

- Jaguar
- Landrover
- Opel
- Volkswagen Group

Description:

Steel cassette:

- Waterproof steel cassette

Hydraulic unit:

- Hard-chrome plated cylinder
- Flexible synchronization and safety system
- Corrosion-free guiding elements
- Pump unit with immersed motor
- Hydraulic oil
- Pneumatic emergency lowering
- Programmable pushbutton control unit
- Great stability, even with uneven weight distribution; due to the cylinder diameter of 213 mm

Superstructure:

- Double telescopic arms, crosswise adjustable
- Internal arm locking system
- Low minimum height

Standard colours

- Base plate: RAL 7016 - grey
- Arms: RAL 3020 - red

Versions:

Steel cassette:

- Zinc-coated
- Coated
- Self-carrying

Installation:

- Superstructure on floor
- Ceiling installation

Optional extras:

- Large program of extra pads

Zinc coating and special colours on request!



Scan the QR-Code
for detailed product information.

Further Information on
www.autopstenhoj.com

autop Maschinenbau GmbH

Sandkampstraße 90
48432 Rheine | Germany

☎ +49 5971 8602-02

📠 +49 5971 8602-25

✉ info@autopstenhoj.com

STENHØJ A/S

Barrit Langgade 188-190
DK-7150 Barrit

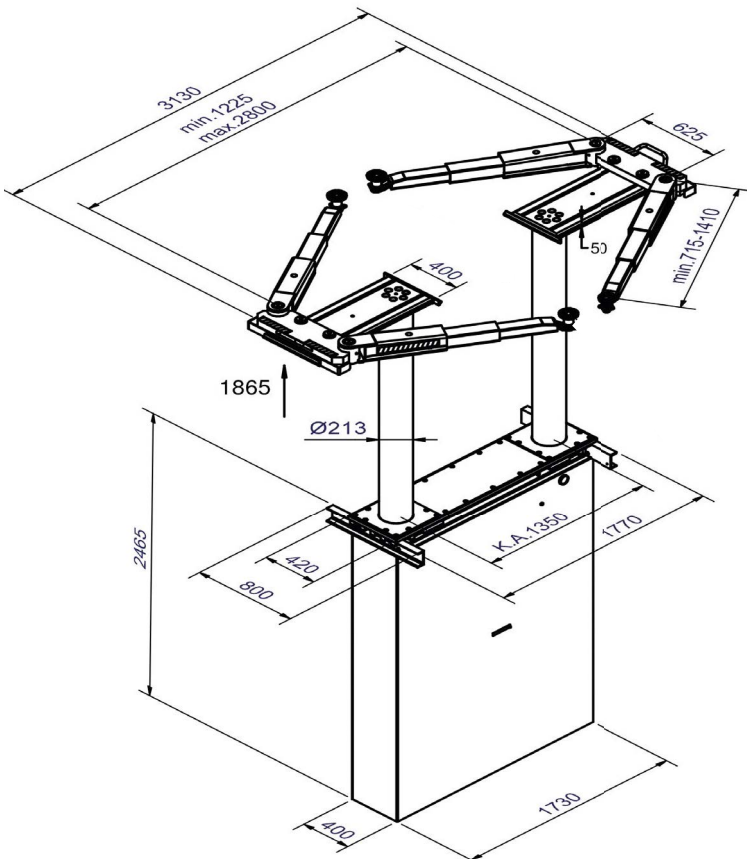
☎ +45 76 82 13 30

📠 +45 76 82 13 31

✉ info@autopstenhoj.com

Technical data	
Lifting capacity	5,500 kg
Lifting height	1,865 mm
Working height	2,000 – 2,060 mm
Cylinder diameter	2 x 213 mm
Distance between cylinders	1,350 mm
Lifting / lowering time (high pressure)	approx. 45 sec.
Foundation depth	2,625 mm
Pump unit	3 kW
Hydraulic oil	17 l
Voltage	230/400 V – 50 Hz – 16 A

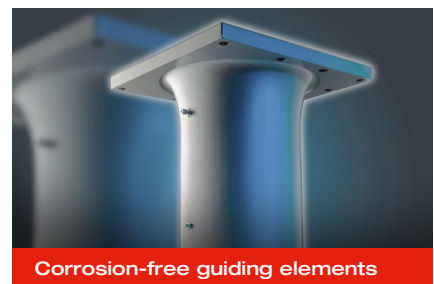
Arm superstructure	
Total width	3,130 mm
Lifting pad included in the delivery	11028 (135 – 195 mm)
Min. height	135 – 195 mm
Arm length, min. - max.	715 – 1,410 mm



Slidable superstructure



Internal arm locking system



Corrosion-free guiding elements