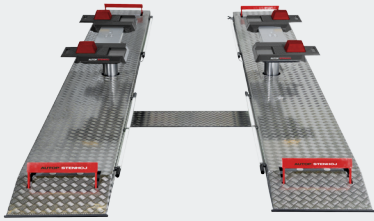


Masterlift 2.35 Combi Check-in - KA 1335

Electro-hydraulic 2xtwin-ram lift, 3.5 t, with platforms
and Free-wheel lift with flat lifting supports



Application

- Check-in
- Test

Approvals / recommendations

- Volkswagen Group

Description:

Steel cassette:

- Waterproof steel cassette

Hydraulic unit:

- Hard-chrome plated cylinder
- Flexible synchronization and safety system
- Corrosion-free guiding elements
- Pump unit with immersed motor
- Hydraulic oil
- Pneumatic emergency lowering
- Programmable pushbutton control unit

Superstructure:

- A set of platforms with drive-on ramps and stops
- Lighting set incl.

Free-wheel device Pv:

- Stable lifting supports, lengthwise adjustable
- Rubber-coated, non-skid pads
- Low minimum height

Standard colours:

- Platforms: RAL 7016 - grey and aluminium coated
- RAL 9006 - white aluminium

Versions:

Steel cassette:

- Zinc-coated
- Coated
- Self-carrying

Superstructure Pv:

- Lifting supports in different lengths (120-180, 140-200, 160-220 & 170 - 240)

Installation:

- Superstructure on floor
- Superstructure in floor
- Ceiling installation

Optional extras:

- XY-pads
- Sets of rubber blocks, 40, 60, 80 and 100 mm

Zinc coating and special colours on request!



Scan the QR-Code for detailed product information.

Further Information on www.autopstenhoj.com

autop Maschinenbau GmbH

Sandkampstraße 90
D-48432 Rheine

☎ +49 5971 8602-02

☎ +49 5971 8602-25

✉ info@autopstenhoj.com

STENHØJ A/S

Barrit Langgade 188-190
DK-7150 Barrit

☎ +45 76 82 13 30

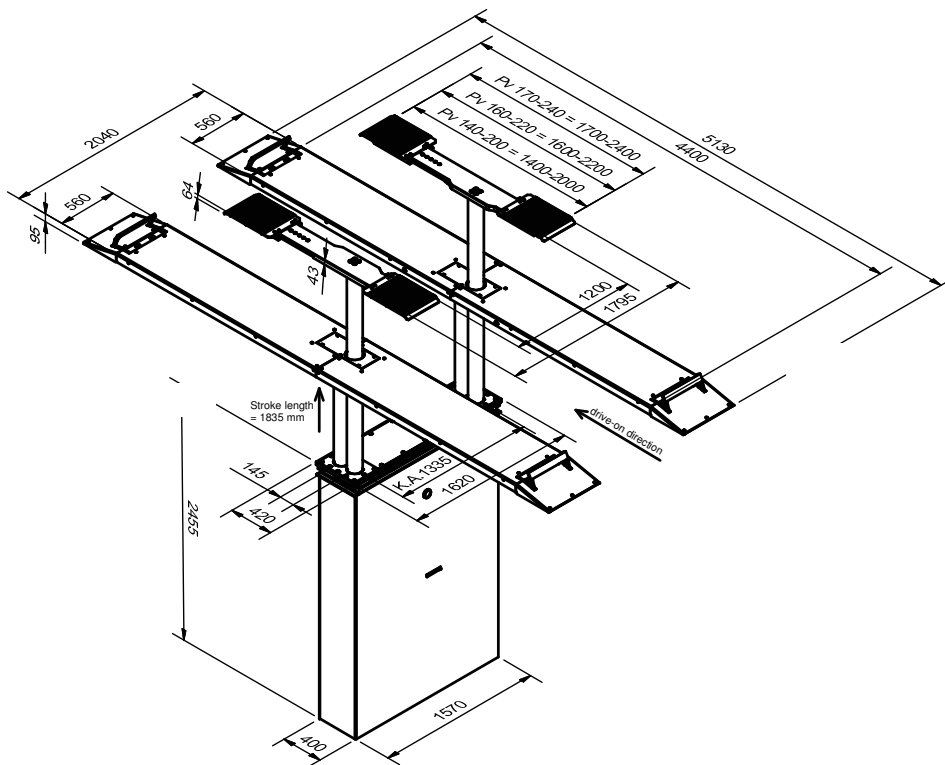
☎ +45 76 82 13 31

✉ info@autopstenhoj.com

Technical data	
Lifting capacity	3,500 kg
Lifting height	1,835 mm
Working height	F: 1,930 mm RFH: 1,995 mm + Rubber pads
Cylinder diameter	4 x 123 mm
Distance between cylinders	1,335 mm
Lifting / lowering time (high pressure)	approx. 30 sec.
Foundation depth	2,625 mm
Pump unit	3 kW
Hydraulic oil	14 l
Voltage	230 / 400 V – 50 Hz – 16 A

Platforms	
Total length	5,130 mm
Usable length of platform	4,400 mm
Wheel base	approx. 3,900 mm
Platform width	560 mm
Distance between platforms	920 mm
Drive-on height	95 mm

Pv superstructure	
Total length min. – max.	120–180: ~ 1.200 – 1,800 mm
	140–200: ~ 1.400 – 2,000 mm
	160–220: ~ 1.600 – 2,200 mm
	170–240: ~ 1.700 – 2,400 mm
Min. height	250 mm



Low platform construction



Lift in reception area



Integrated stops